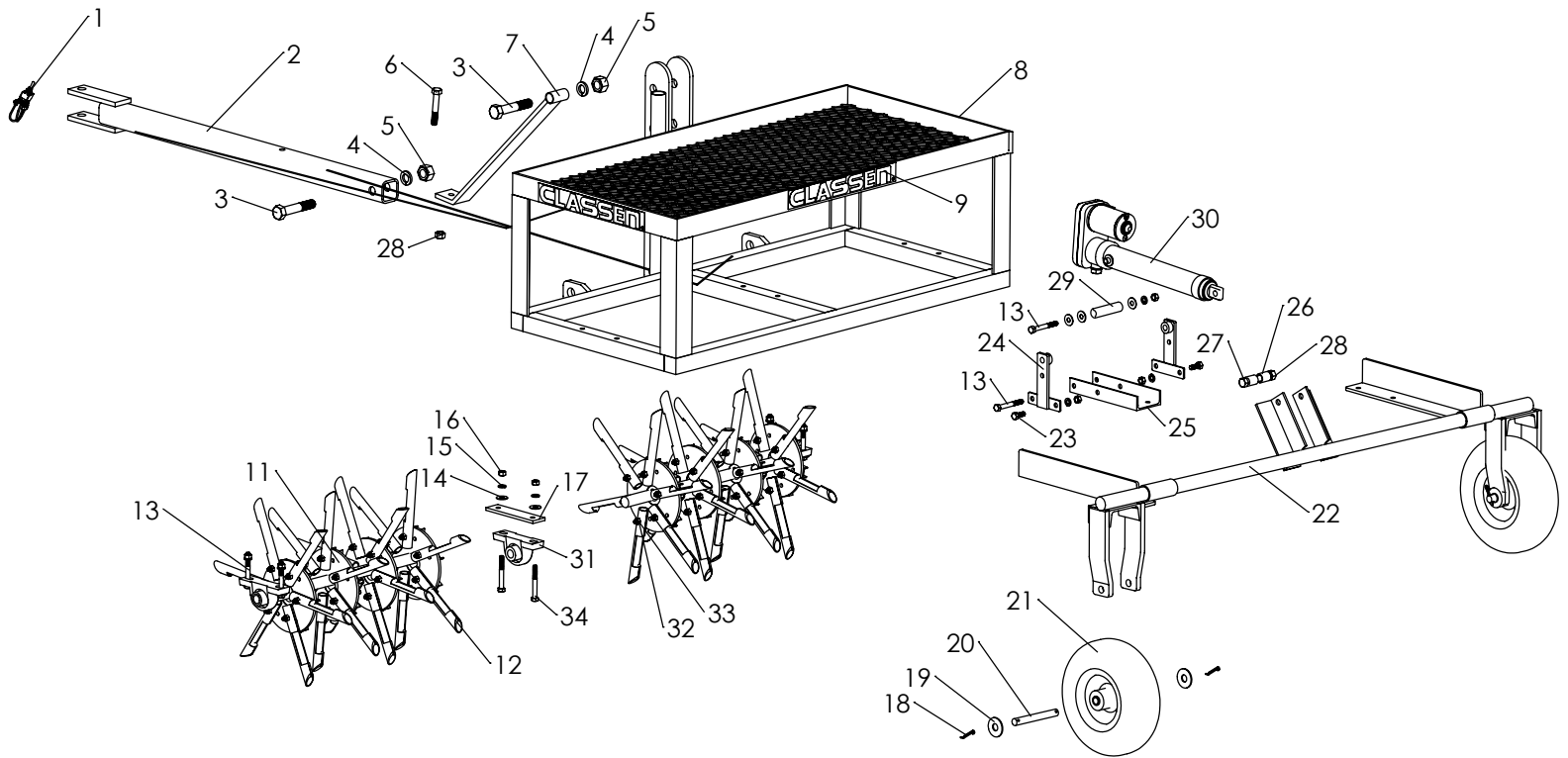


48-RTE/60-RTE MAIN FRAME BREAK DOWN



KEY	PART NO.	QTY/ PER SHEET	DESCRIPTION	KEY	PART NO.	QTY/ PER SHEET	DESCRIPTION
				17	C300102	2	CENTER BEARING SPACER
1	C100272	1	ACTUATOR TOGGLE SWITCH	18	C500016	4	5/32" x 1-1/4" COTTER PIN
2	C400058	1	HITCH	19	C500053	4	5/8" FLAT WASHER
3	C500213	2	3/4" x 4" BOLT	20	C300045	2	WHEEL AXLE
4	C500195	2	3/4" LOCK WASHER	21	C100103	2	TIRE & WHEEL ASSEMBLY
5	C500214	2	3/4" NUT	22	C400241	1	48RTE ELECTRIC WHEEL FORK AXLE
6	C500215	1	1/2" x 3" BOLT	22	C400242	1	60RTE ELECTRIC WHEEL FORK AXLE
7	C400059	1	HITCH GUSSET	23	C500043	4	3/8" x 1" BOLT
8	C400153	1	48RTE MAIN FRAME	24	C400151	2	"T" BRACKET
8	C400157	1	60RTE MAIN FRAME	25	C300103	1	CHANNEL BRACKET
9	C100074	3	CLASSEN DECAL	26	C300074	2	1/2" x 1" PIPE SPACER
10	C100069	1	DANGER DECAL (NOT SHOWN)	27	C500158	1	1/2" x 3-1/2" BOLT
11	C700026	2	48RTE TINE SHAFT	28	C500131	2	1/2" LOCK NUT
11	C700027	2	60RTE TINE SHAFT	29	C300104	1	2" PIPE SPACER
12	C100032	48	TINES (60 TINES FOR 60RTE)	30	C100306	1	ACTUATOR
13	C500159	6	3/8" x 3" BOLT	31	C100004	4	1" PILLOW BLOCK BEARING
14	C500042	13	3/8" FLAT WASHER	32	C500147	48	5/16" x 1-1/2" BOLT (60 FOR 60RTE)
15	C500130	13	3/8" LOCK WASHER	33	C500169	48	5/16" LOCK NUT (60 FOR 60RTE)
16	C500129	13	3/8" NUT	34	C500178	4	3/8" X 3-1/4" BOLT