

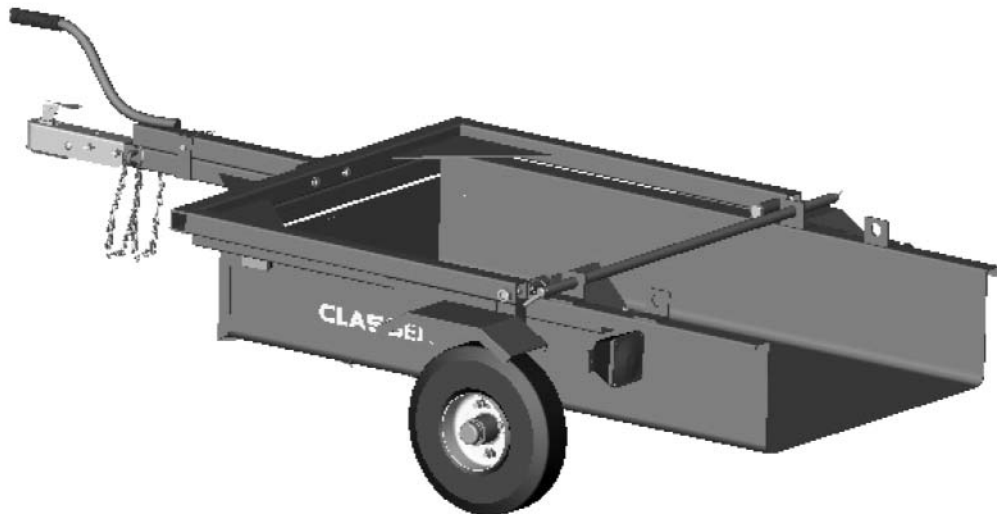
CLASSEN[®] **TRAILER**

AST TRAILER

(Serial No. 038 & UP)

SAT TRAILER

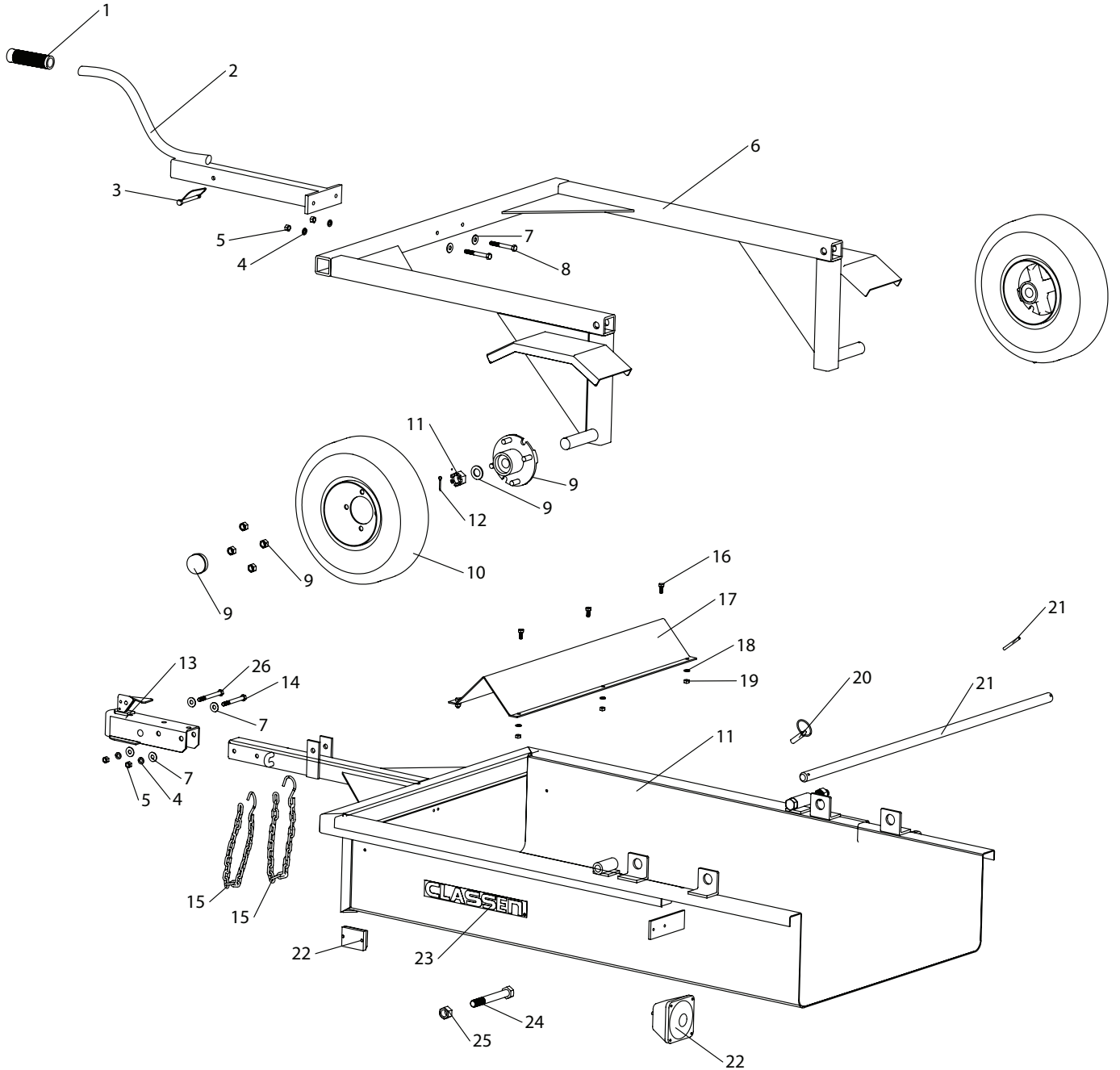
(Serial No. 254 & UP)



PARTS MANUAL

Schiller Grounds Care, Inc.
1028 Street Road • Southampton, PA 18966
Telephone: 1-800-366-6268

AST-SAT MAIN FRAME



KEY	PART NO	QTY/PER SHEET	DESCRIPTION	KEY	PART NO	QTY/PER SHEET	DESCRIPTION
1	100018	1	1" RUBBER GRIP	15	100347	2	CHAINS w/HOOKS
2	400193	1	TOP FRAME FRONT TUBE w/HANDLE	16	500140	6	5/16" x 3/4" BOLT
3	100346	1	3/8" SNAP LOCKPIN	17	400194	1	SAT INNER V-STOP
4	500130	4	3/8" LOCK WASHER	17	400195	1	AST INNER V-STOP
5	500129	4	3/8" NUT	18	500115	6	5/16" LOCK WASHER
6	400191	1	SAT TOP FRAME w/FENDERS	19	100101	6	5/16" NUT
6	400192	1	AST TOP FRAME w/FENDERS	20	100158	1	1/4" LYNCH PIN
7	500042	6	3/8" FLAT WASHER	21	300112	1	SAT PIN w/1/4" PIN
8	500159	2	3/8" x 3" BOLT	21	300113	1	AST PIN w/1/4" PIN
9	100313	2	4-BOLT HUBS w/BEARINGS, & NUTS	22	100159	1	LIGHT KIT ASSEMBLY
10	100338	2	4-BOLT TIRE & WHEEL ASSEMBLY	23	100074	2	DECAL, "CLASSEN"
11	400189	1	SAT MAIN BODY	24	500221	2	3/4" x 6" BOLT
11	400190	1	AST MAIN BODY	25	500222	2	3/4" LOCK NUT
12	500062	2	1/8" x 1-1/4" COTTER PIN	26	500175	1	3/8" x 3-3/4" BOLT
13	100136	1	2" COUPLER	27	100308	2	3/8" LANYARD (NOT SHOWN)
14	500170	1	3/8" x 3-1/2" BOLT	28	100267	1	DECAL, "CAP. 500 LBS." (NOT SHOWN)

CLASSEN[®]

**Schiller Grounds Care, Inc.
1028 Street Road • Southampton, PA 18966
Telephone: 1-800-366-6268**

TWO YEAR LIMITED WARRANTY

Effective April 1, 2007

For the period of two years from the date of purchase, CLASSEN MFG., INC. will repair or replace for the original purchaser free of charge, any part or parts found upon the examination of our factory authorized service station, or by the factory in Norfolk, Nebraska, to be defective in material or workmanship. All transportation charges on parts submitted for repair or replacement under this warranty shall be borne by the purchaser.

This warranty does not include engines or engine parts, tires, batteries, or gearboxes that are covered under separate warranties furnished by their manufacturer or supplier, nor does it include normal maintenance parts, including but not limited to, spark plugs, points, filters, blades, and lubricants.

All service under this warranty will be furnished or performed by our factory authorized service stations.

There is no other expressed warranty. Implied warranties, including those of merchantability and fitness for a particular purpose, are limited to two years from the date of purchase and to the extent permitted by law, any and all implied warranties are excluded. The above remedy of repair and replacement of defective parts is the purchaser's exclusive remedy for any defect, malfunction or breach of warranty. Liability for incidental or consequential damages under any and all warranties is excluded to the extent permitted by law.

NORMAL RESPONSIBILITIES OF THE SELLER AND THE USER

1. The Distributor or Dealer is responsible for the proper assembly and preparation of the product for delivery to the end user.
2. The User is responsible for reading the Manual and Instructions.
3. The User is responsible for proper operation and maintenance as described in the manual.
4. The User is responsible for the replacement of wear items such as blades, belts, tires, batteries, etc.
5. The User is responsible for damage due to improper operation and maintenance, as well as abuse.

All claims must be received by the factory 30 days after the end of the warranty period to receive warranty consideration.