

PARTS MANUAL

AERATOR MODEL:

TA-17D

POWERSTEER AERATOR

(S.N 1140064404 AND ABOVE)



CLASSEN[®]

1028 Street Road • P.O. Box 38
Southampton, PA 18966 U.S.A.
Ph. (877)569-6337

TABLE OF CONTENTS

INTRODUCTION	1
Thank You	1
Read This Manual	1
Warranty	1
Measurements	1
Serial Numbers	1
Ordering Part	1
Directions	1
OWNERS RECORD.....	1
PRE-DELIVERY CHECK LIST	1
DELIVERY CHECK LIST.....	1
TA-17D POWERSTEER AERATOR.....	
Parts Main Frame	2
Parts Power Train Assembly	3
Parts Handle and Control Assembly	4
TWO YEAR LIMITED WARRANT.....	Rear Cover

INTRODUCTION

THANK YOU

Thank you for purchasing a CLASSEN Aerator

READ THIS MANUAL

Read this manual carefully in its entirety. It contains safety, operating, maintenance, and adjustment instructions for your Aerator. By following the operating and maintenance instructions you will prolong the life of your equipment and maintain its maximum efficiency. Failure to do so could result in personal injury or equipment damage.

This manual should be considered a permanent part of your Aerator and should remain with it if you sell it.

WARRANTY

Refer to last page.

MEASUREMENTS

U.S. Units of measure are used in this manual.

SERIAL NUMBERS

Write frame and engine serial numbers, plus model numbers in "Owner's Record" section below. You may need these numbers when you order parts. The serial number stick plate is located on the right rear of the Aerator frame.

ORDERING PARTS

When ordering parts, always give the serial number and model of your Aerator as well as the quantity, part number and description of the part needed.

DIRECTIONS

"Right Hand" and "Left Hand" sides of the Aerator are determined by facing the "back" of the Aerator as you would operate the machine.

OWNER'S RECORD

DATE PURCHASED _____
AERATOR MODEL NUMBER _____
AERATOR SERIAL NUMBER _____
ENGINE MODEL NUMBER _____
ENGINE SERIAL NUMBER _____

PRE-DELIVERY CHECK LIST

Check the following before you deliver the Aerator to the customer.

1. Guards and shields fastened in place.
2. Decals fastened and legible.
3. Weight bar installed.
4. Gas lever on engine turned on.
5. All lubrication points greased.
6. 6:1 gearbox oil level.
7. Engine oil level.
8. Air cleaner.
9. Touch up scratches.
10. Chain(s) tight.
11. Lowering handle working properly.
12. Control handle(s) working to tighten V-belt(s).
13. Add fuel, start engine, test run.

DATE SET UP _____ / _____ / _____

DELIVERY CHECK LIST

Review the operators manual with the customer.

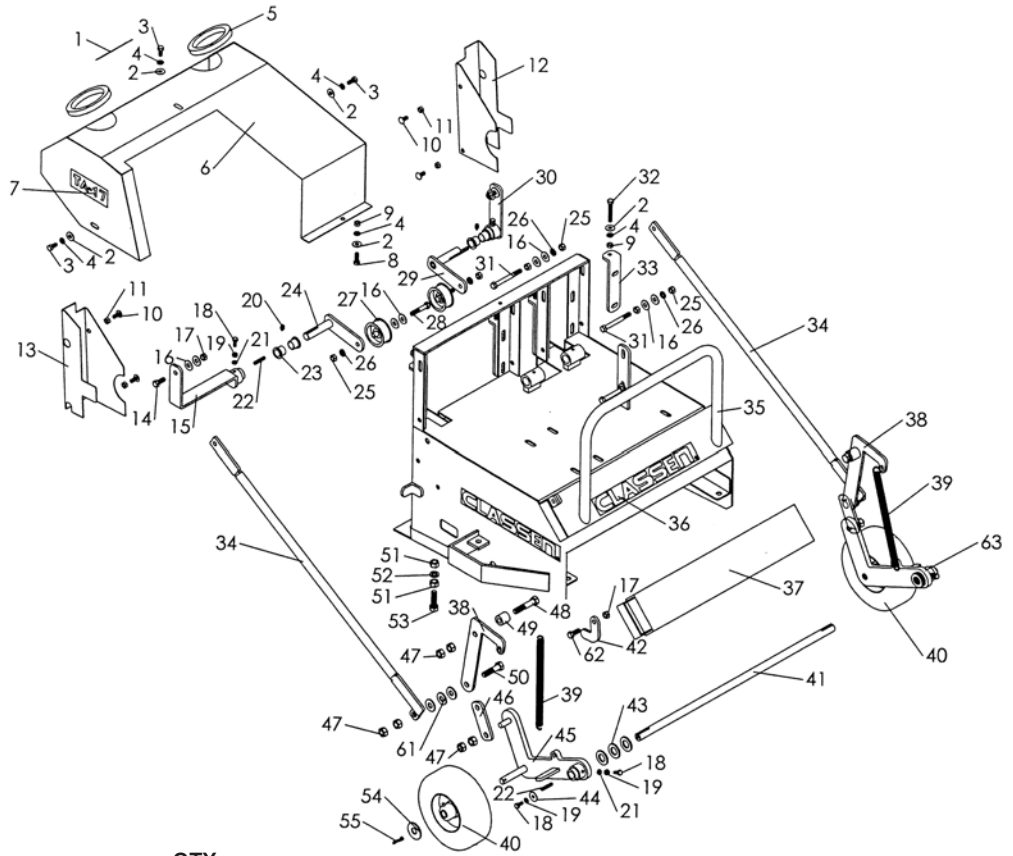
1. Schiller Grounds Care, Inc. warranty.
2. Safe operation and service.
3. How to use controls.
4. Operating the machine correctly.
5. Transporting the Aerator.
6. Correct fuel and lubricants.
7. Daily and periodic inspections.
8. Changing oil after break-in period.
9. Servicing the Aerator regularly and correctly.
10. Schiller Grounds Care, Inc. parts and service.
11. Give the customer the operators manual and encourage customer to read it.

DATE DELIVERED _____ / _____ / _____

SIGNATURE _____

TA-17D POWERSTEER AERATOR (S.N. 1140064404 and Above)

Parts Main Frame TA-17D POWERSTEER AERATOR



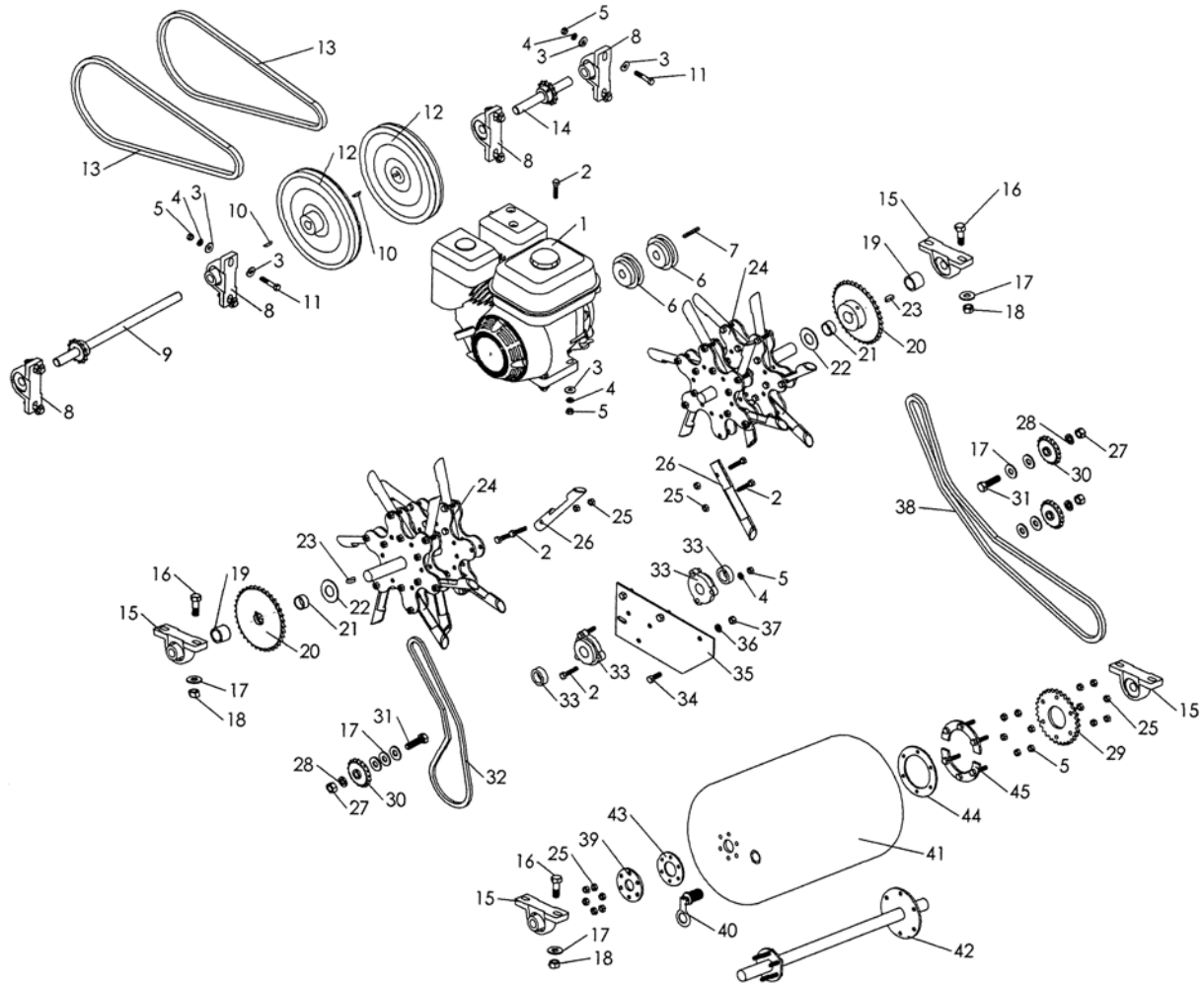
ITEM	P/N	DESCRIPTION	QTY.
1	20942	DECAL, "DANGER"	1
2	C500083	5/16" FLAT WASHER	8
3	C500140	5/16" x 3/4" BOLT	3
4	C500115	5/16" LOCK WASHER	8
5	C100419	RUBBER EDGING	2
6	C400093	PULLEY GUARD	1
7	4171158	DECAL, "TA-17 POWER STEER"	2
8	C500133	5/16" x 1" BOLT	1
9	C500101	5/16" NUT	5
10	C500163	5/16" x 3/4" CARRIAGE BOLT	4
11	C500169	5/16" LOCK NUT	4
12	C400393	CHAIN GUARD, (L.H.)	1
13	C400394	CHAIN GUARD, (R.H.)	1
14	C500134	3/8" x 1-1/4" BOLT	2
15	C400086	CLUTCH ARM, (R.H.)	1
16	C500042	3/8" FLAT WASHER	12
17	C500041	3/8" LOCK NUT	2
18	C500029	1/4" x 3/4" BOLT	4
19	C500136	1/4" NUT	4
20	C500001	1/4" x 28 GREASE FITTING	2
21	C500137	1/4" LOCK WASHER	4
22	C500011	3/16" x 1" SQ. KEY	4
23	C100021	BRASS BUSHING	4
24	C400021	IDLER ARM, (R.H.)	1
25	C500129	3/8" NUT	7
26	C500130	3/8" LOCK WASHER	4
27	C100010	IDLER PULLEY	2
28	C500091	3/8" x 2" BOLT	2
29	C400087	IDLER ARM, (L.H.)	1
30	C400020	CLUTCH ARM, (L.H.)	1
31	C500170	3/8" x 4-1/2" BOLT	3
32	C500114	5/16" x 2-1/4" TAP BOLT	4

ITEM	P/N	DESCRIPTION	QTY.
33	C300049	CHAIN TIGHTENING PLATE	4
34	C300007	LINKAGE ARM	2
35	C400080	TA-17D MAIN FRAME	1
36	4170118	DECAL, "CLASSEN"	3
37	C400056	WEIGHT BAR	1
38	C400015	SPRING ARM	2
39	C100040	FRAME SPRING	2
40	C100031	8" REAR TIRE ASSEMBLY	2
41	C200007	KEYED SHAFT	1
42	C300009	WEIGHT STOP FLAT	1
43	C500194	3/4" FLAT WASHER	6
44	C500164	1/4" FENDER WASHER	2
45	C400013	REAR AXLE SUPPORT ARM, (L.H.)	1
46	C300006	PIVOT FLAT	2
47	C500131	1/2" LOCK NUT	12
48	C500135	1/2" x 2-1/2" BOLT	2
49	C300005	BUSHING SPACER	2
50	C500149	1/2" x 2" BOLT	2
51	C500106	1/2" NUT	4
52	C500006	1/2" LOCK WASHER	2
53	C500174	1/2" x 1-3/4" BOLT	2
54	C500053	5/8" FLAT WASHER	2
55	C500016	5/32" x 1-1/4" COTTER PIN	2
56	2000577	DECAL, "ALL GUARDS" (N.S.)	1
57	4171157	DECAL, "POWERSTEER" (N.S.)	1
58	C100055	DECAL, "SERIAL NUMBER" (N.S.)	1
59	C100257	DECAL, "PATENT" (N.S.)	1
60	C100073	LUBRICATION TAG (N.S.)	1
61	C500034	1/2" FLAT WASHER	6
62	C500043	3/8" x 1" BOLT	1
63	C400014	REAR AXLE SUPPORT ARM, (R.H.)	1

N.S.=NOT SHOWN

Parts Power Train Assembly

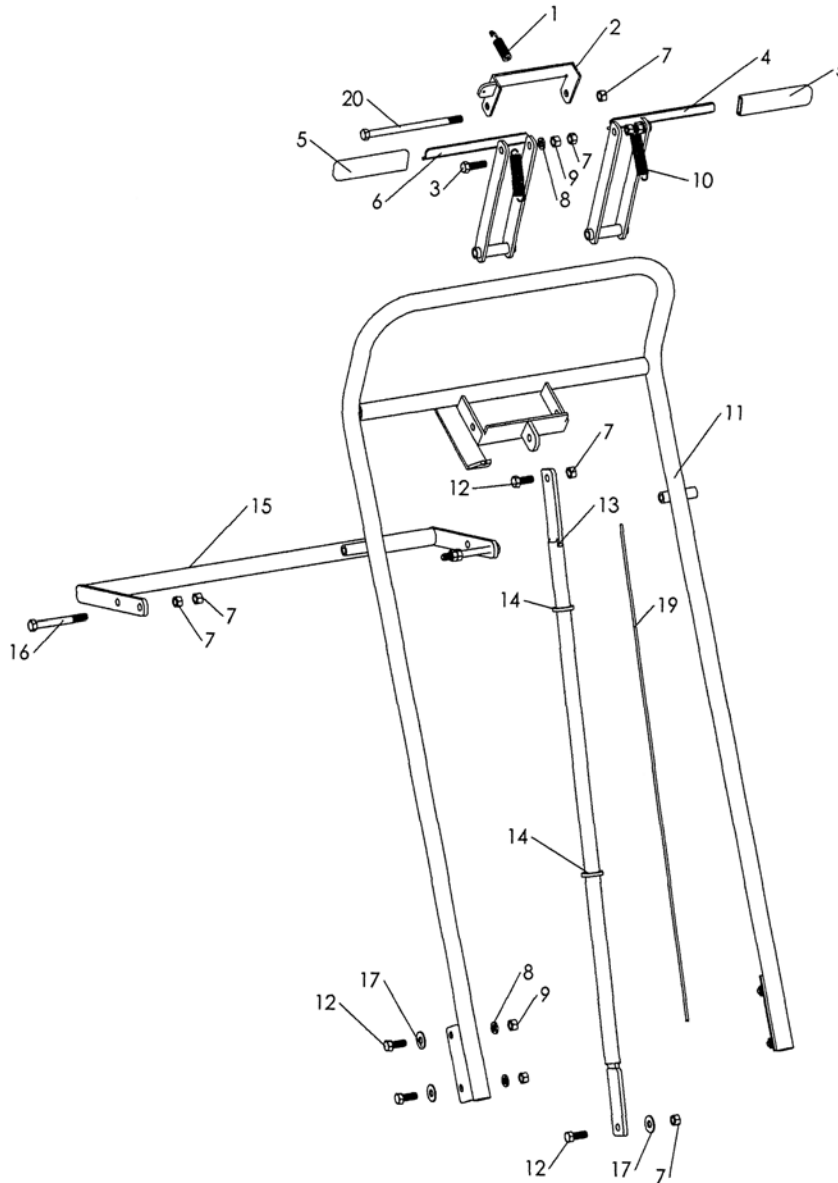
TA-17D POWERSTEER AERATOR



ITEM	P/N	DESCRIPTION	QTY.	ITEM	P/N	DESCRIPTION	QTY.
1	C100037	4.0 HP HONDA ENGINE	1	24	C700018	TINE DISC SHAFT ASSEMBLY	2
2	C500147	5/16" x 1-1/2" BOLT	60	25	C500169	5/16" LOCK NUT	60
3	C500083	5/16" FLAT WASHER	20	26	C100032	PLUGGING TINE	24
4	C500115	5/16" LOCK WASHER	15	27	C500106	1/2" NUT	3
5	C500101	5/16" NUT	21	28	C500006	1/2" LOCK WASHER	3
6	C100420	3" x 3/4" PULLEY w/ HUB	2	29	C200015	#40 x 30 SPROCKET	1
7	C500231	3/16" x 1-3/4" SQ. KEY	1	30	C100043	IDLER SPROCKET	3
8	C100013	3/4" BEARING w/ COLLAR	4	31	C500174	1/2" x 1-3/4" BOLT	2
9	C200024	JACK SHAFT ASSEMBLY, (R.H.)	1	32	C100151	#40 x 75 PITCH CHAIN w/ LINK	1
10	C500173	3/16" x 7/8" HALF MOON KEY	2	33	C100155	1" 3-BOLT FLANGE BEARING w/ COLLAR	2
11	C500074	5/16" x 1-3/4" BOLT	8	34	C500043	3/8" x 1" BOLT	3
12	C100245	9" PULLEY & HUB w/o KEY	2	35	C300057	3/16" LOWER PLATE	1
13	C100150	BX-45 V-BELT	2	36	C500130	3/8" LOCK WASHER	3
14	C200023	JACK SHAFT ASSEMBLY, (L.H.)	1	37	C500129	3/8" NUT	3
15	C100004	1" BEARING w/ COLLAR	4	38	C100108	#40 x 139 PITCH CHAIN	1
16	C500150	1/2" x 1-1/2" BOLT	8	39	C100083	SMALL STEEL WASHER	1
17	C500034	1/2" FLAT WASHER	15	40	C100109	WATER DRUM PLUG	1
18	C500131	1/2" LOCK NUT	8	41	C100085	WATER DRUM	1
19	C300132	1" OUTSIDE SPACER	2	42	C700009	DRUM AXLE	1
20	C200009	#40 x 36 SPROCKET & HUB	2	43	C100087	SMALL RUBBER GASKET	1
21	C300011	OUTSIDE DRUM SHAFT SPACER	2	44	C100084	LARGE RUBBER GASKET	1
22	C300131	2" MACHINERY WASHER	2	45	C700011	INNER HALF-PLATE w/ STUDS	2
23	C500003	1/4" x 7/8" HALF MOON KEY	2				

Parts Handle and Control Assembly

TA-17D POWERSTEER AERATOR



ITEM	P/N	DESCRIPTION	QTY
1	C100035	THROTTLE CABLE CONNECTING SPRING	1
2	C400088	THROTTLE ARM	1
3	C500134	3/8" x 1-1/4" BOLT	2
4	C400082	CONTROL HANDLE, (L.H.)	1
5	C100007	RUBBER GRIP	2
6	C400091	CONTROL HANDLE, (R.H.)	1
7	C500041	3/8" LOCK NUT	9
8	C500130	3/8" LOCK WASHER	6
9	C500129	3/8" NUT	6
10	C100034	CLUTCH CABLE SPRING	2
11	C400018	MAIN HANDLE	1
12	C500043	3/8" x 1" BOLT	6
13	C300054	HANDLE BRACE	1
14	C100020	PLASTIC TIE	2
15	C400017	LOWERING HANDLE	1
16	C500170	3/8" x 3-1/2" BOLT	2
17	C500042	3/8" FLAT WASHER	4
18	C200020	CLUTCH CABLE (NOT SHOWN)	2
19	C100149	THROTTLE CABLE w/ CONNECTING ENDS	1
20	C500162	3/8" x 6-1/2" BOLT	1

CLASSEN® 2 YEAR LIMITED SERVICE AND WARRANTY POLICY

Schiller Grounds Care, Inc.
1028 Street Road • Southampton, PA 18966
Telephone: 1-800-366-6268

TWO YEAR LIMITED WARRANTY

Effective April 1, 2007

For the period of two years from the date of purchase, CLASSEN will repair or replace for the original purchaser free of charge, any part or parts found upon the examination of our factory authorized service station, or by the factory in Southampton, PA to be defective in material or workmanship. All transportation charges on parts submitted for repair or replacement under this warranty shall be borne by the purchaser.

This warranty does not include engines or engine parts, tires, batteries, or gearboxes that are covered under separate warranties furnished by their manufacturer or supplier, nor does it include normal maintenance parts, including but not limited to, spark plugs, points, filters, blades, and lubricants.

All service under this warranty will be furnished or performed by our factory authorized service stations.

There is no other expressed warranty. Implied warranties, including those of merchantability and fitness for a particular purpose, are limited to two years from the date of purchase and to the extent permitted by law, any and all implied warranties are excluded. The above remedy of repair and replacement of defective parts is the purchaser's exclusive remedy for any defect, malfunction or breach of warranty. Liability for incidental or consequential damages under any and all warranties is excluded to the extent permitted by law.

NORMAL RESPONSIBILITIES OF THE SELLER AND THE USER

1. The Distributor or Dealer is responsible for the proper assembly and preparation of the product for delivery to the end user.
2. The User is responsible for reading the Manual and Instructions.
3. The User is responsible for proper operation and maintenance as described in the manual.
4. The User is responsible for the replacement of wear items such as blades, belts, tires, batteries, etc.
5. The User is responsible for damage due to improper operation and maintenance, as well as abuse.

All claims must be received by the factory 30 days after the end of the warranty period to receive warranty consideration.

CLASSEN®
SCHILLER GROUNDS CARE, INC.
1028 STREET ROAD, P.O. BOX 38
SOUTHAMPTON, PA 18966
PHONE 877-596-6337 • FAX 215-357-8045