

PARTS MANUAL

AERATOR MODEL:

TA-25D

POWERSTEER AERATORS

(S.N. 1140064404 and Above)



CLASSEN[®]

1028 Street Road • P.O. Box 38
Southampton, PA 18966 U.S.A.
Ph. (877)596-6337

TABLE OF CONTENTS

INTRODUCTION	1
Thank You	1
Read This Manual	1
Warranty	1
Measurements	1
Serial Numbers	1
Ordering Part	1
Directions	1
OWNERS RECORD.....	1
PRE-DELIVERY CHECK LIST	1
DELIVERY CHECK LIST.....	1
TA-25D SPLIT-DRIVE AERATOR.....	
Parts Main Frame	2
Parts Power Train Assembly	3
Parts Handle and Control Assembly	4
TWO YEAR LIMITED WARRANTY.....	Rear Cover

INTRODUCTION

THANK YOU

Thank you for purchasing a CLASSEN Aerator

READ THIS MANUAL

Read this manual carefully in its entirety. It contains safety, operating, maintenance, and adjustment instructions for your Aerator. By following the operating and maintenance instructions you will prolong the life of your equipment and maintain its maximum efficiency. Failure to do so could result in personal injury or equipment damage.

This manual should be considered a permanent part of your Aerator and should remain with it if you sell it.

WARRANTY

Refer to last page.

MEASUREMENTS

U.S. Units of measure are used in this manual.

SERIAL NUMBERS

Write frame and engine serial numbers, plus model numbers in "Owner's Record" section below. You may need these numbers when you order parts. The serial number stick plate is located on the right rear of the Aerator frame.

ORDERING PARTS

When ordering parts, always give the serial number and model of your Aerator as well as the quantity, part number and description of the part needed.

DIRECTIONS

"Right Hand" and "Left Hand" sides of the Aerator are determined by facing the "back" of the Aerator as you would operate the machine.

OWNER'S RECORD

DATE PURCHASED _____

AERATOR MODEL NUMBER _____

AERATOR SERIAL NUMBER _____

ENGINE MODEL NUMBER _____

ENGINE SERIAL NUMBER _____

PRE-DELIVERY CHECK LIST

Check the following before you deliver the Aerator to the customer.

1. Guards and shields fastened in place.
2. Decals fastened and legible.
3. Weight bar installed.
4. Gas lever on engine turned on.
5. All lubrication points greased.
6. 6:1 gearbox oil level.
7. Engine oil level.
8. Air cleaner.
9. Touch up scratches.
10. Chain(s) tight.
11. Lowering handle working properly.
12. Control handle(s) working to tighten V-belt(s).
13. Add fuel, start engine, test run.

DATE SET UP _____/_____/_____

DELIVERY CHECK LIST

Review the operators manual with the customer.

1. Schiller Grounds Care, Inc. warranty.
2. Safe operation and service.
3. How to use controls.
4. Operating the machine correctly.
5. Transporting the Aerator.
6. Correct fuel and lubricants.
7. Daily and periodic inspections.
8. Changing oil after break-in period.
9. Servicing the Aerator regularly and correctly.
10. Schiller Grounds Care, Inc. parts and service.
11. Give the customer the operators manual and encourage customer to read it.

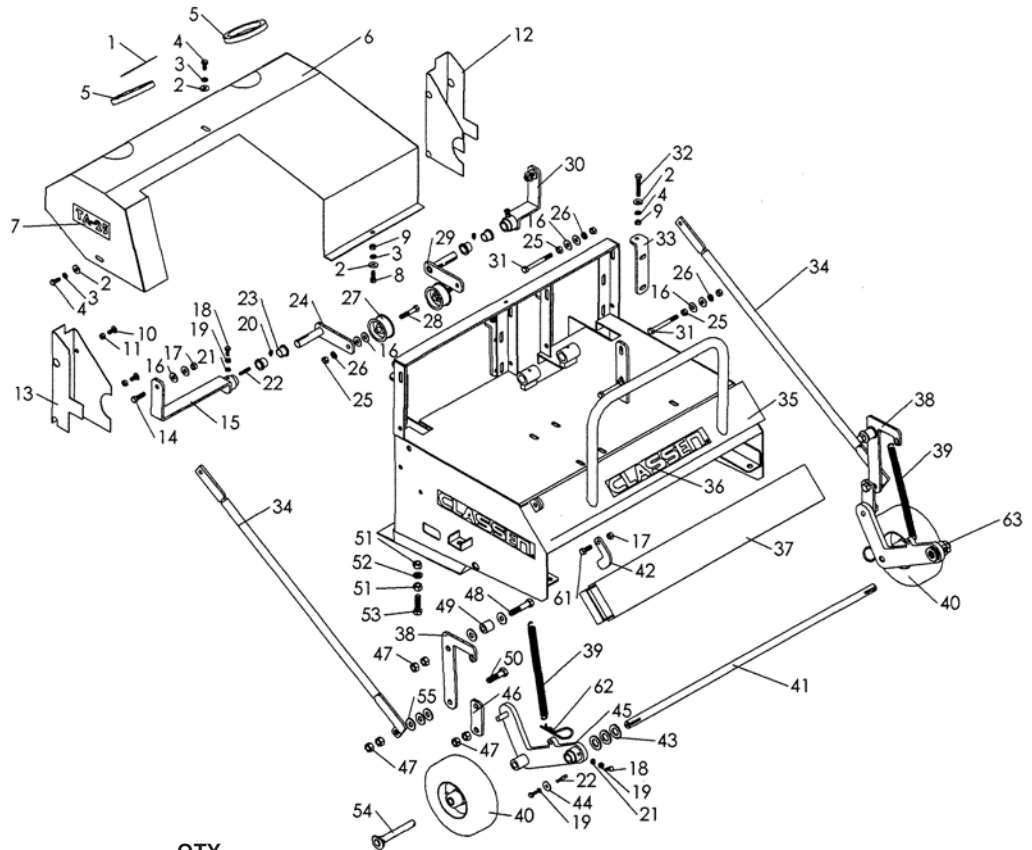
DATE DELIVERED _____/_____/_____

SIGNATURE _____

TA-25D POWERSTEER AERATOR (S.N. 1140064404 AND ABOVE)

Parts Main Frame

TA-25D
POWERSTEER AERATOR



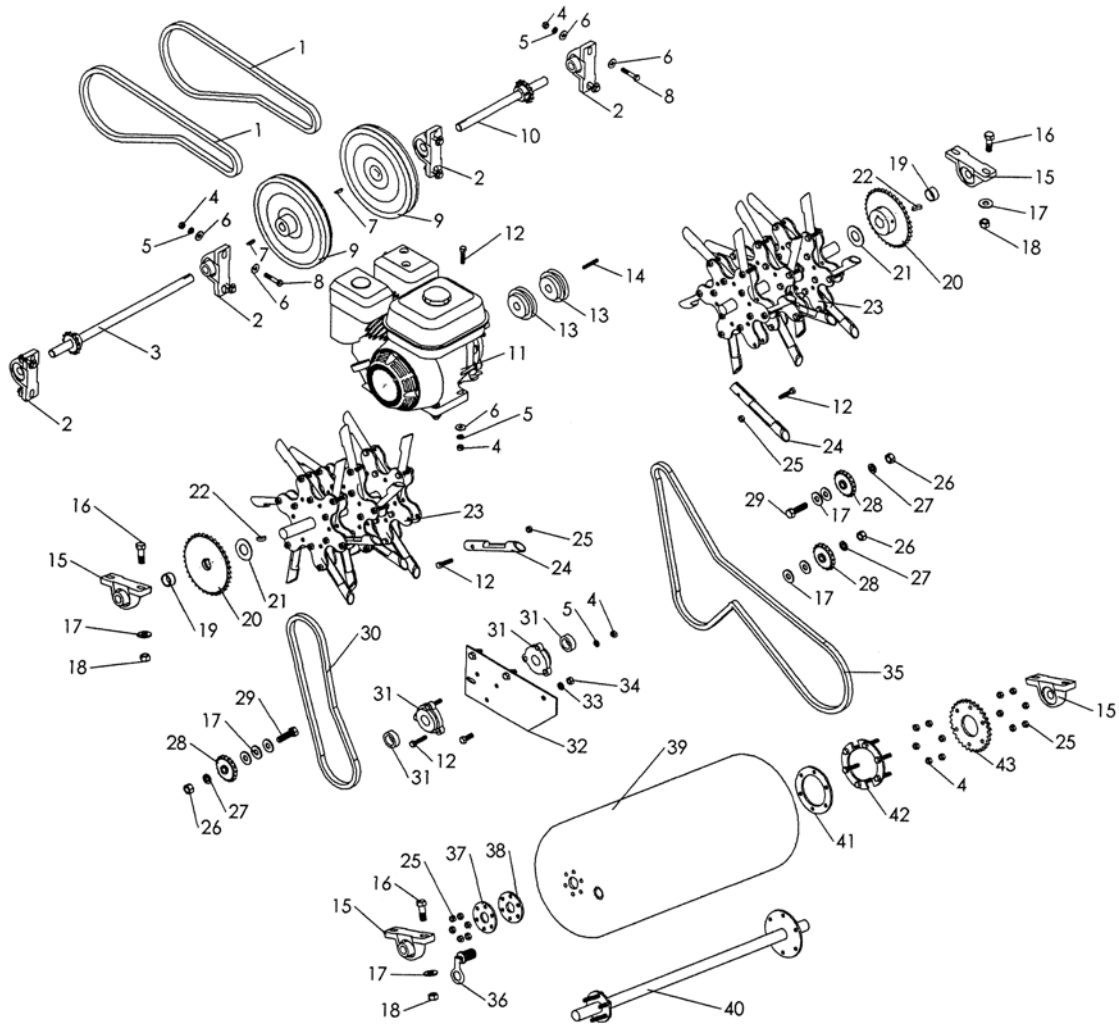
ITEM	P/N	DESCRIPTION	QTY
1	20942	DECAL, "DANGER"	1
2	C500083	5/16" FLAT WASHER	8
3	C500115	5/16" LOCK WASHER	8
4	C500140	5/16" x 3/4" BOLT	3
5	C100419	RUBBER EDGING	2
6	C400092	PULLEY GUARD	1
7	4171287	DECAL, "POWERSTEER"	2
8	C500133	5/16" x 1" BOLT	1
9	C500101	5/16" NUT	5
10	C500163	5/16" x 3/4" CARRIAGE BOLT	4
11	C500169	5/16" LOCK NUT	4
12	C400393	CHAIN GUARD, (L.H.)	1
13	C400394	CHAIN GUARD, (R.H.)	1
14	C500134	3/8" x 1-1/4" BOLT	2
15	C400085	CLUTCH ARM, (R.H.)	1
16	C500042	3/8" FLAT WASHER	12
17	C500041	3/8" LOCK NUT	2
18	C500029	1/4" x 3/4" BOLT	4
19	C500136	1/4" NUT	4
20	C500001	1/4" x 28 GREASE FITTING	2
21	C500137	1/4" LOCK WASHER	4
22	C500011	3/16" x 1" SQ. KEY	4
23	C100021	BRASS BUSHING	4
24	C400021	IDLER ARM, (R.H.)	1
25	C500129	3/8" NUT	7
26	C500130	3/8" LOCK WASHER	4
27	C100010	IDLER PULLEY	2
28	C500091	3/8" x 2" BOLT	2
29	C400087	IDLER ARM, (L.H.)	1
30	C400083	CLUTCH ARM, (L.H.)	1
31	C500170	3/8" x 4-1/2" BOLT	2
32	C500114	5/16" x 2-1/4" TAP BOLT	4
33	C300049	CHAIN TIGHTENING PLATE	4

ITEM	P/N	DESCRIPTION	QTY
34	C300007	LINKAGE ARM	2
35	C400079	TA-25D MAIN FRAME	1
36	4170118	DECAL, "CLASSEN"	3
37	C400057	WEIGHT BAR	1
38	C400015	SPRING ARM	2
39	C100040	FRAME SPRING	2
40	C100031	8" REAR TIRE ASSEMBLY	2
41	C200012	KEYED SHAFT	1
42	C300009	WEIGHT STOP FLAT	1
43	C500194	3/4" FLAT WASHER	6
44	C500164	1/4" FENDER WASHER	2
45	C400026	REAR AXLE SUPPORT ARM, (R.H.)	1
46	C300006	PIVOT FLAT	2
47	C500131	1/2" LOCK NUT	12
48	C500135	1/2" x 2-1/2" BOLT	2
49	C300005	BUSHING SPACER 50	2
50	C500149	1/2" x 2" BOLT	2
51	C500106	1/2" NUT	4
52	C500006	1/2" LOCK WASHER	2
53	C500174	1/2" x 1-3/4" BOLT	2
54	C100049	PIN, REAR AXLE	2
55	C500034	1/2" FLAT WASHER	8
56	2000577	DECAL, "ALL GUARDS" (N.S.)	1
57	4171157	DECAL, "POWERSTEER" (N.S.)	1
58	C100055	DECAL, "SERIAL NUMBER" (N.S.)	1
59	C100257	DECAL, "PATENT" (N.S.)	1
60	C100073	LUBRICATION TAG (N.S.)	1
61	C500043	3/8" x 1" BOLT	1
62	C500096	5/32" x 3" BRIDGE PIN CLIP	2
63	C400025	REAR AXLE SUPPORT ARM, (L.H.)	1
64	C500165	3/8" X 4-1/2" BOLT	1

N.S.= NOT SHOWN

Parts Power Train Assembly

TA-25D POWERSTEER AERATOR

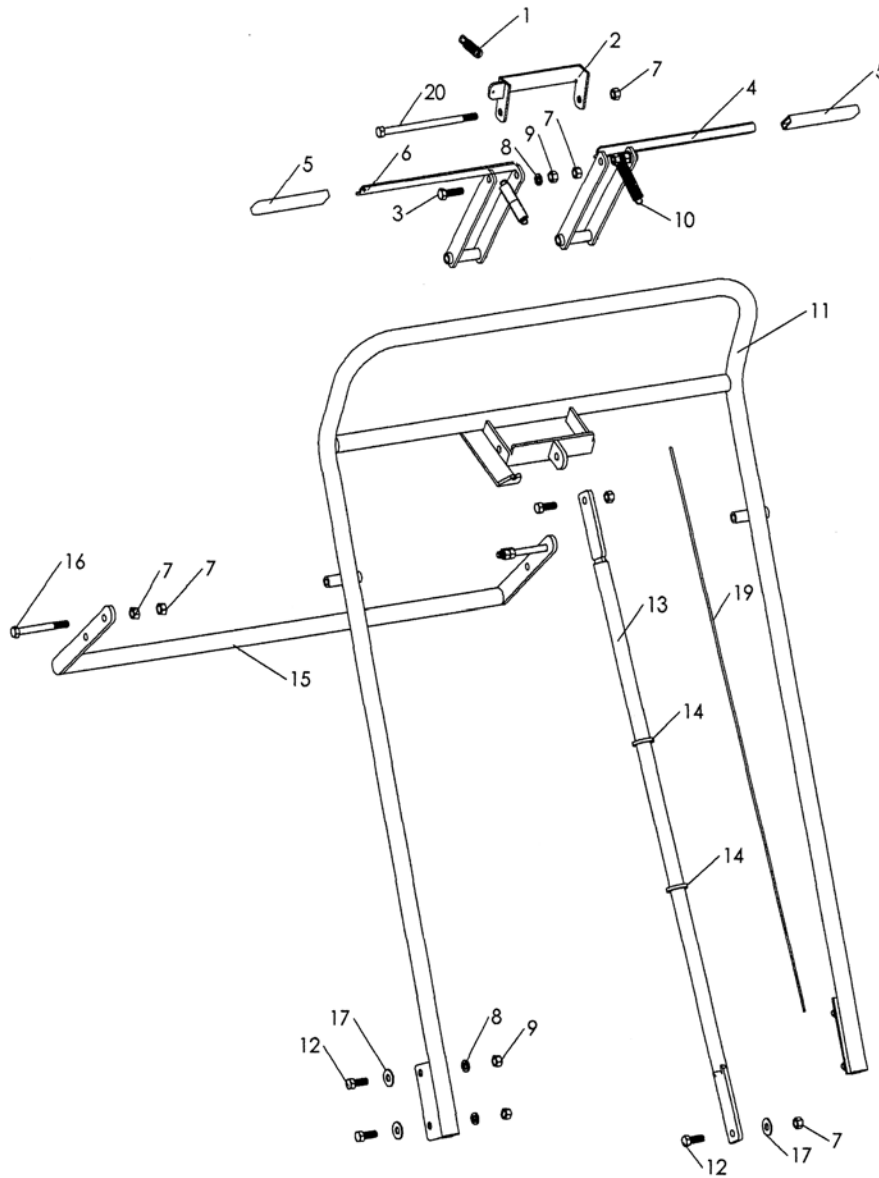


ITEM	P/N	DESCRIPTION	QTY
1	C100150	BX-45 V-BELT	2
2	C100013	3/4" BEARING w/ COLLAR	4
3	C200022	JACK SHAFT ASSEMBLY, (R.H.)	1
4	C500101	5/16" NUT	21
5	C500115	5/16" LOCK WASHER	15
6	C500083	5/16" FLAT WASHER	20
7	C500173	3/16" x 7/8" HALF MOON KEY	2
8	C500074	5/16" x 1-3/4" BOLT	8
9	C100245	9" PULLEY & HUB w/o KEY	2
10	C200021	JACK SHAFT ASSEMBLY, (L.H.)	1
11	C100037	4.0 HP HONDA ENGINE	1
12	C500147	5/16" x 1-1/2" BOLT	79
13	C100420	3" x 3/4" PULLEY w/ HUB	2
14	C500231	3/16" x 1-3/4" SQ. KEY	1
15	C100004	1" BEARING w/ COLLAR	4
16	C500150	1/2" x 1-1/2" BOLT	8
17	C500034	1/2" FLAT WASHER	15
18	C500131	1/2" LOCK NUT	8
19	C300011	OUTSIDE DRUM SHAFT SPACER	2
20	C200009	#40 x 36 SPROCKET & HUB	2
21	C300131	2" MACHINERY WASHER	2
22	C500003	1/4" x 7/8" HALF MOON KEY	2
23	C700017	TINE DISC SHAFT ASSEMBLY	2
24	C100032	PLUGGING TINE	36
25	C500169	5/16" LOCK NUT	84

ITEM	P/N	DESCRIPTION	QTY
26	C500106	1/2" NUT	3
27	C500006	1/2" LOCK WASHER	3
28	C100043	IDLER PULLEY	3
29	C500174	1/2" x 1-3/4" BOLT	2
30	C100151	#40 x 75 PITCH CHAIN w/ LINK	1
31	C100155	1" 3-BOLT FLANGE BEARING w/ COLLAR	2
32	C300057	3/16" LOWER PLATE	1
33	C500130	3/8" LOCK WASHER	3
34	C500129	3/8" NUT	3
35	C100108	#40 x 139 PITCH CHAIN	1
36	C100109	WATER DRUM PLUG	1
37	C100083	SMALL STEEL WASHER	1
38	C100087	SMALL RUBBER GASKET	1
39	C100086	WATER DRUM 40	1
40	C700010	DRUM AXLE	1
41	C100084	LARGE RUBBER GASKET	1
42	C700011	INNER HALF-PLATE w/ STUDS	2
43	C200015	#40 x 30 SPROCKET	1

Parts Handle and Control Assembly

TA-25D POWERSTEER AERATOR



ITEM	P/N	DESCRIPTION	QTY
1	C100035	THROTTLE CABLE CONNECTING	1
2	C400088	THROTTLE ARM	1
3	C500134	3/8" x 1-1/4" BOLT	2
4	C400081	CONTROL HANDLE (L.H.)	1
5	C100007	RUBBER GRIP	2
6	C400090	CONTROL HANDLE (R.H.)	1
7	C500041	3/8" LOCK NUT	9
8	C500130	3/8" LOCK WASHER	6
9	C500129	3/8" NUT	6
10	C100034	CLUTCH CABLE SPRING	2
11	C400028	MAIN HANDLE	1
12	C500043	3/8" x 1" BOLT	6
13	C300054	HANDLE BRACE	1
14	C100020	PLASTIC TIE	2
15	C400027	LOWERING HANDLE	1
16	C500170	3/8" x 3-1/2" BOLT	2
17	C500042	3/8" FLAT WASHER	4
18	C200020	CLUTCH CABLE. (NOT SHOWN)	2
19	C100149	THROTTLE CABLE w/ CONNECTING ENDS	1
20	C500162	3/8" x 6-1/2" BOLT	1

CLASSEN[®] 2 YEAR LIMITED SERVICE AND WARRANTY POLICY

Schiller Grounds Care, Inc.
1028 Street Road • Southampton, PA 18966
Telephone: 1-800-366-6268

TWO YEAR LIMITED WARRANTY

Effective April 1, 2007

For the period of two years from the date of purchase, CLASSEN will repair or replace for the original purchaser free of charge, any part or parts found upon the examination of our factory authorized service station, or by the factory in Southampton, PA to be defective in material or workmanship. All transportation charges on parts submitted for repair or replacement under this warranty shall be borne by the purchaser.

This warranty does not include engines or engine parts, tires, batteries, or gearboxes that are covered under separate warranties furnished by their manufacturer or supplier, nor does it include normal maintenance parts, including but not limited to, spark plugs, points, filters, blades, and lubricants.

All service under this warranty will be furnished or performed by our factory authorized service stations.

There is no other expressed warranty. Implied warranties, including those of merchantability and fitness for a particular purpose, are limited to two years from the date of purchase and to the extent permitted by law, any and all implied warranties are excluded. The above remedy of repair and replacement of defective parts is the purchaser's exclusive remedy for any defect, malfunction or breach of warranty. Liability for incidental or consequential damages under any and all warranties is excluded to the extent permitted by law.

NORMAL RESPONSIBILITIES OF THE SELLER AND THE USER

1. The Distributor or Dealer is responsible for the proper assembly and preparation of the product for delivery to the end user.
2. The User is responsible for reading the Manual and Instructions.
3. The User is responsible for proper operation and maintenance as described in the manual.
4. The User is responsible for the replacement of wear items such as blades, belts, tires, batteries, etc.
5. The User is responsible for damage due to improper operation and maintenance, as well as abuse.

All claims must be received by the factory 30 days after the end of the warranty period to receive warranty consideration.

CLASSEN[®]
SCHILLER GROUNDS CARE, INC.
1028 STREET ROAD, P.O. BOX 38
SOUTHAMPTON, PA 18966
PHONE 877-596-6337 • FAX 215-357-8045